

BATHROOM FAUCET:

- Parkwood™ Collection
- Single Handle Deck Mount
- 1 or 3 Hole Sink Applications

STANDARD SPECIFICATIONS:

- Maximum 1.0 gpm @ 60 psi, 3.8 L/min @ 414 kPa
- One or three hole mount (escutcheon optional, included)
- Ceramic cartridge
- Red/Blue indicator markings
- Polymer braided flexible supply hose with 3/8" compression fitting - 30 3/16" (768mm) long
- Models with no suffix have 50/50 pop-up type fitting with plated flange and stopper
- Models with suffix "M" have metal drain with pop-up type fitting with plated flange and stopper
- Models with suffix "LPU" are less pop-up

WARRANTY:

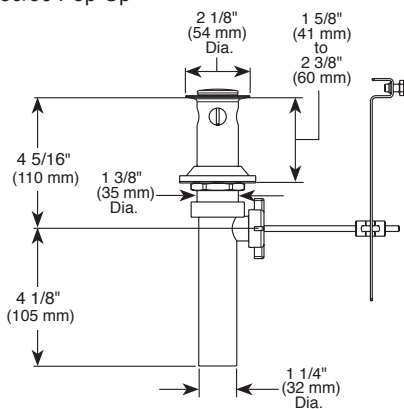
- Parts and Finish - Lifetime limited warranty; or for commercial purchasers, 10 years for multi-family residential (apartments and condominiums) and 5 years for all other commercial uses, in each case from the date of purchase.



COMPLIES WITH:

- ASME A1 12.18.1 / CSA B125.1
- ASME A1 12.18.2 / CSA B125.2
- ♿ Indicates compliance to ICC / ANSI A1 17.1- Valve control only
- EPA WaterSense®

RP38958▲ 50/50 Pop-Up



▲ Designate proper finish suffix